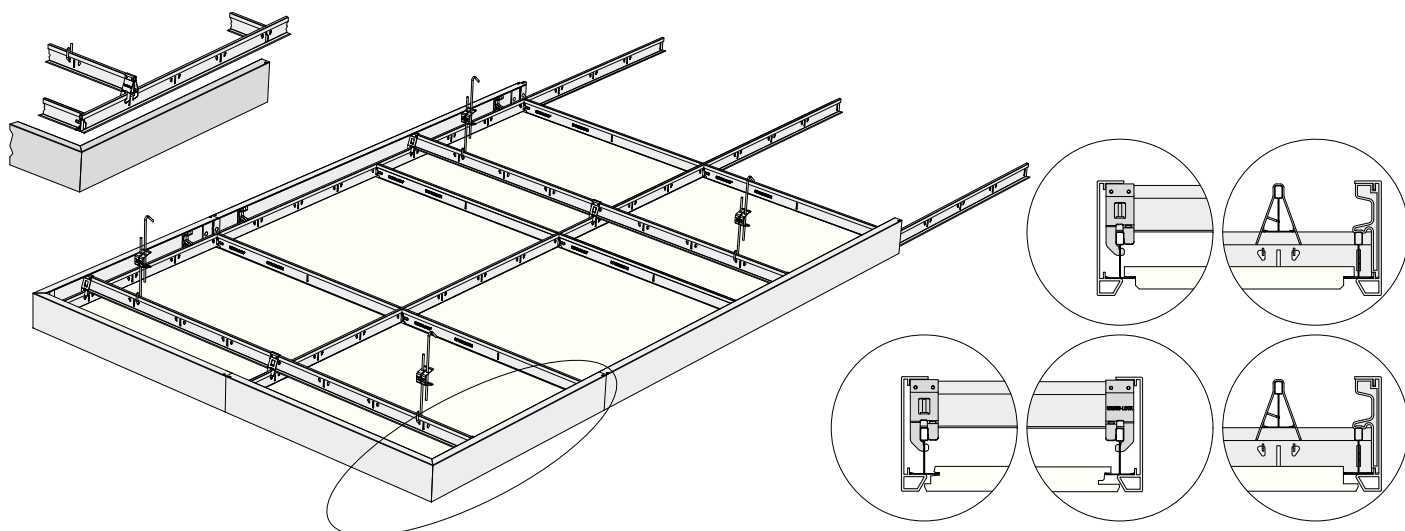


QUICK-LOCK® Insula 91A • concealed and tegular



Component, dimensions in mm

Product No. Description

Length
mm Qty/
Pack R-Mtr/
pack Weight/
pack Logistic
code

Randafwerking Insula 91A, snow-white

42 60 301	Edge profile U-91A	600	4	2.4	2.0	B
42 60 304	Edge profile U-91A	1200	4	4.8	4.3	B
42 60 307	Edge profile U-91A	1800	4	7.2	6.3	B
42 60 350	Corner U-91A (2 x 618,6 mm)	600	4	4.8	5.7	B
41 60 010	Insula A Edge clips & accessories (2 edge clips per edge, corner)		25		0.3	B

*Insula carrier universal (primary & secondary), snow-white

41 15 003	Insula carrier se	1221	12	14.7	6.0	B
41 15 004	Insula carrier se	1821	12	21.9	9.0	B
41 15 006	Insula carrier se	2421	12	29.1	10.9	B
41 15 008	Insula carrier se	3021	12	36.3	13.4	B
41 15 009	Insula carrier se	3621	12	43.5	14.8	B

Cross tee 24/38 HE, snow-white

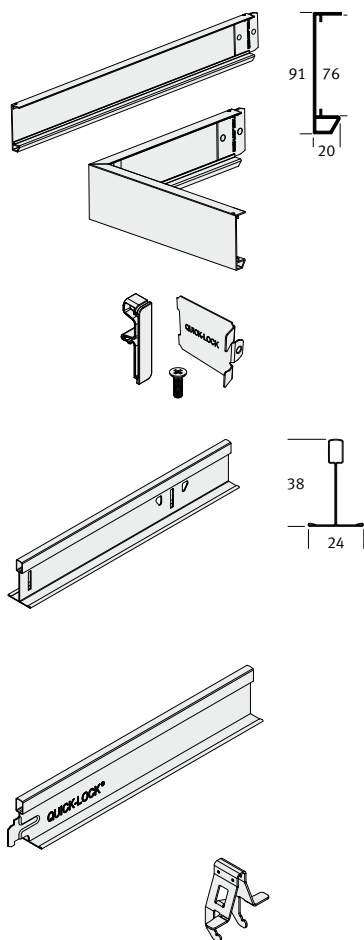
41 10 111	Slots c.t.c. 300 mm	600	60	36	12.5	A
41 50 111	Slots c.t.c. 300 mm	600	20	12	4.0	B

Cross-Lock connectors

42 07 005	Cross-Lock connector type GS		100		2.1	A
-----------	------------------------------	--	-----	--	-----	---

* For ceiling islands larger than 3600mm the carriers can be produced on-size on demand. It is also possible to cut primary and secondary beams out of standard QL 24-38 Unipro mainbeams. Instruction drawings are available on demand. See also page 45.

** On demand.



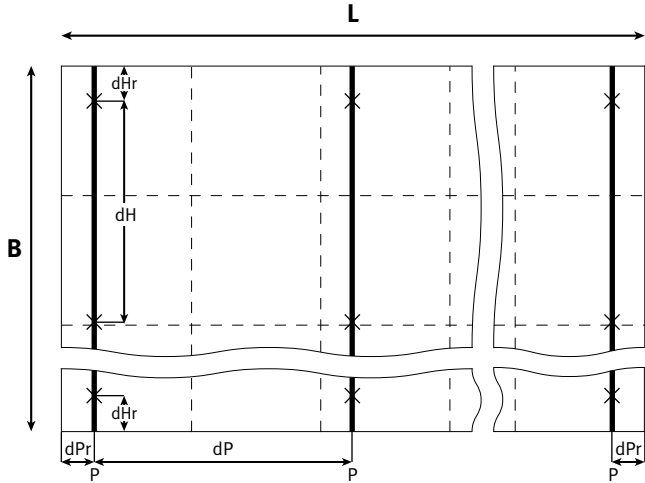
INSULA Standard lay-out Insula 76A, 91A ceiling islands

Standard lay-out for panels 600x600mm and panelload upto $\lt 8 \text{ kg/m}^2$

B = Modular island width, total width + 37mm

L = Modular island length, total width + 37mm

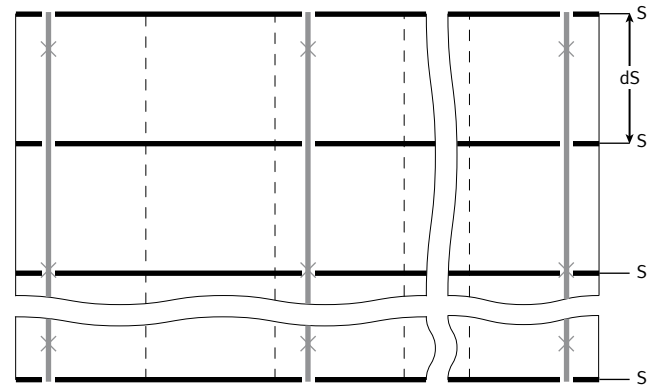
1. Position suspensionpoints (X) and primary beams (P)



Suspension distances:
 dHr = 165mm
 dH = max 1200mm c.t.c.

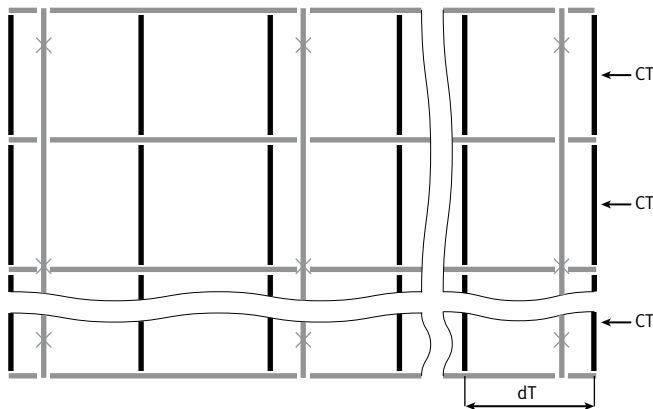
Position, distances, primary beams:
 dPr = 165mm
 dP = max 1200mm c.t.c.

2. Position secondary beams (S)



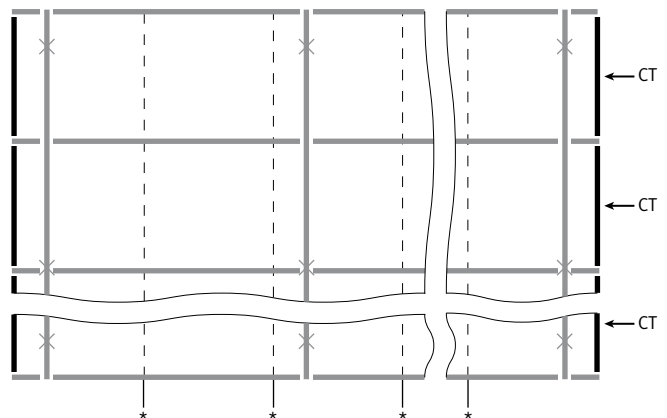
Position, distances, secondary beams:
 dS = 600mm c.t.c.

3a. Visible version (76A) - position cross-tees (CT)



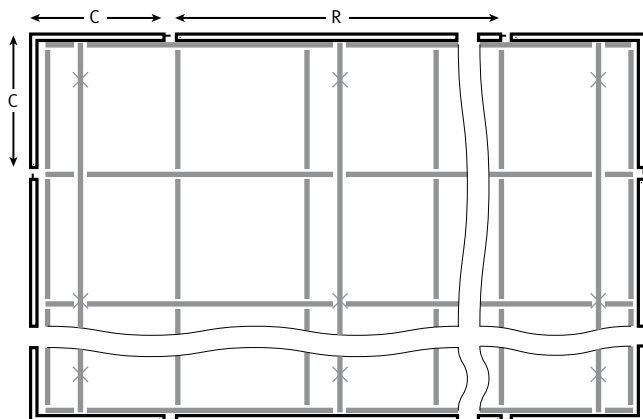
dT = 600mm c.t.c.

3b. Concealed version (91A) - position cross-tees (CT)

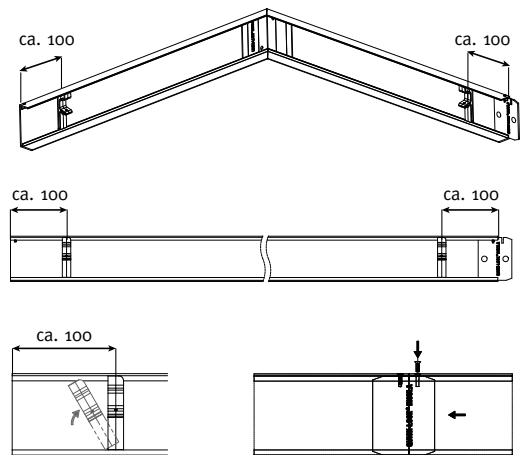


* Depending on paneltype additional cross-tees may be required.

4. Dimensions corner (C) and edge pieces (R)



C = Standard corner piece, modular length 600mm. Total length 618,6mm
 R = Edge piece, standard lengths 600, 1200, 1800, 2400mm



Mount edge clips at ca. 100mm from section end.

Secure edge and corner piece connections with the screws.