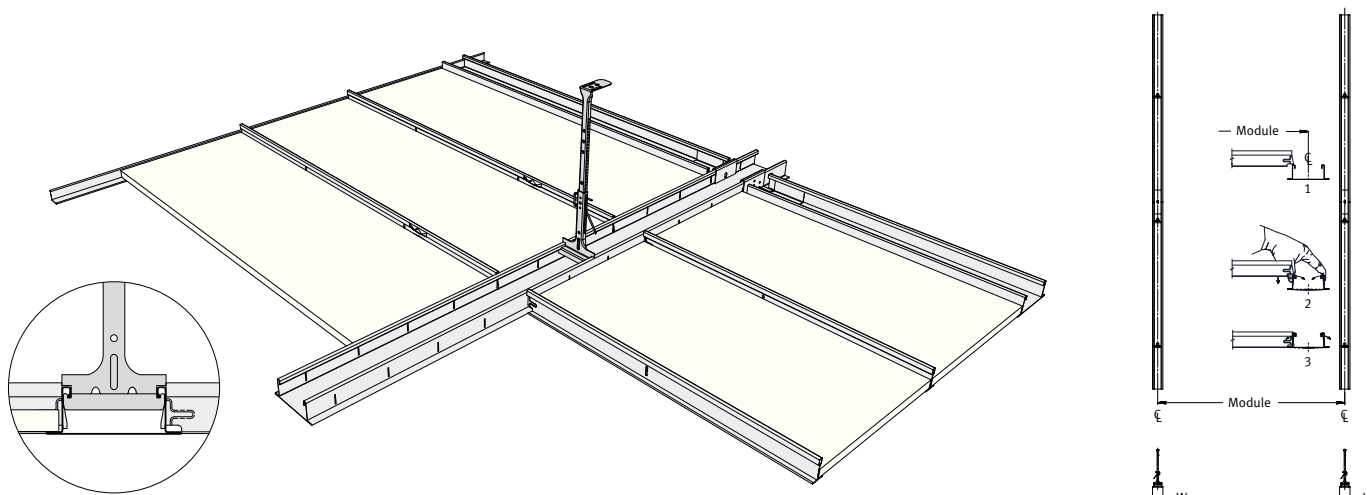


QUICK-LOCK® Omega system • visible



Component, dimensions in mm

Product No. Description

Length mm Qty/Pack R-Mtr/pack Weight/pack Logistic code

Omega with slots, snow-white*

41 31 116	Width 50 mm perf. c.t.c. 100 mm	3600	8	28.8	25.0	B
41 31 035	Width 100 mm without slots	1700	4	6.8	7.2	A
41 31 131	Width 100 mm perf. c.t.c. 100 mm	3600	8	28.8	30.0	A
41 31 133	Width 100 mm perf. c.t.c. 100 mm	5400	4	21.6	22.4	A
41 31 132	Width 100 mm perf. c.t.c. 300 mm	3600	8	28.8	30.2	A
41 31 135	Width 100 mm perf. c.t.c. 300 mm	5400	4	21.6	22.4	B
41 31 151	Width 150 mm perf. c.t.c. 100 mm	3600	4	14.4	19.5	B

Omega with slots, RAL 9010 (white)*

41 31 731	Width 100 mm perf. c.t.c. 100 mm	3600	8	28.8	30.2	C
-----------	----------------------------------	------	---	------	------	---

Omega with slots, RAL 9006 (silver)*

41 10 118	For Omega 100 c.t.c.1800 mm	1724	40	69	24.3	A
-----------	-----------------------------	------	----	----	------	---

Omega cross tee 24/38 HE, snow-white ultra matt

**	For Omega 100 c.t.c.1800 mm	1724	40	69	24.3	C
----	-----------------------------	------	----	----	------	---

Omega cross tee 24/38 HE, RAL 9010 (white)*

41 10 716	For Omega 100 c.t.c.1800 mm	1724	40	69	24.3	C
-----------	-----------------------------	------	----	----	------	---

Wall angles

41 33 301	24 x 24 mm, snow-white	3000	30	90	18.2	A
41 33 119	19 x 24 mm, snow-white ultra matt	3000	30	90	16.2	B
41 33 306	24 x 24 mm, RAL 9010 (white)*	3000	30	90	18.2	A

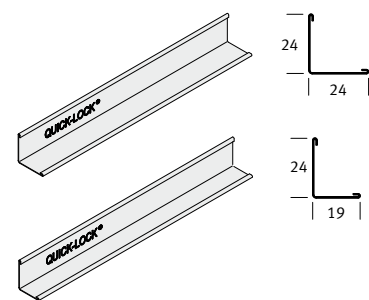
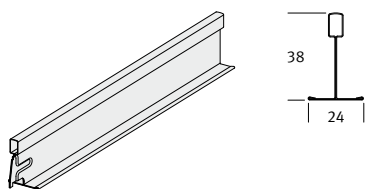
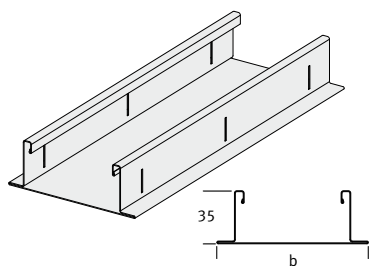
Omega connectors see page 25.

Always indicate module and width of the Omega.

Other lengths and slots on demand, see page 39.

* Minor deviations to the RAL standard can not be excluded.

** On demand.



QUICK-LOCK® Omega • connectors

Component, dimensions in mm

Product No. Description

Length
mm

Qty/
Pack

R. Mtr/
pack

Weight/
pack

Logistic
code

Corner connector 90°

40 00 170	For Omega 50 mm	4	1.5	A
40 00 160	For Omega 100 mm	8	2.5	A

Adjustable cross connector

40 00 211	For Omega 100 mm Range 45° - 135° also for Omega Plus	25	2.0	C
-----------	---	----	-----	---

Omega splice

42 00 570	For Omega 50 mm	230	25	3.0	B
42 00 572	For Omega 100 mm	230	25	5.3	A
42 00 574	For Omega 150 mm	230	25	7.0	B

Cross connectors

42 00 500	For Omega 50 mm	25	1.3	B
42 00 502	For Omega 100 mm	25	2.6	A
42 00 504	For Omega 150 mm	25	4.2	B

Wall connectors

42 00 550	For Omega 50 mm	25	1.3	B
42 00 552	For Omega 100 mm	25	2.6	A
42 00 554	For Omega 150 mm	25	4.2	B

Omega Plus splice

42 00 672	For Omega Plus 100 mm	200	25	5.4	A
-----------	-----------------------	-----	----	-----	---

Omega Plus cross connector

42 00 602	For Omega Plus 100 mm	25	2.5	A
-----------	-----------------------	----	-----	---

Omega Plus wall connector

42 00 652	For Omega Plus 100 mm	25	2.5	A
-----------	-----------------------	----	-----	---

